



Vancouver Artillery Association

2025 West 11th Avenue, Vancouver, BC V6J 2C7

Gayton Conference Room Project

During the Officers' Mess renovations, it was decided that the large collection of military themed books would not be returned to the shelves along the south wall. There was insufficient room for the museum to store and/or display as they have limited storage space. They were subsequently boxed and stored in the Gayton Conference room as a plan was developed.

The agreed upon plan, presented at a CO's Advisory Board meeting, was to install built-in book shelves along the perimeter of the Conference Room that the soldiers of the regiment can borrow from and add to. The Regimental museum has agreed to donate \$1,000.00 towards the construction of wooden shelves that Doug Loney has agreed to produce.

The Library would be operated on an honour system for borrowing and returning books, although we may find that a retired member might step forward to manage its upkeep.

Current Status

COVID-19 has thrown a bit of a delay in the start of the project but, with the latest relaxing of restrictions, we now have the time to begin the project.

Step 1 – Confirmation of paint colours – It is intended to repaint the bottom wood paneling to a darker, richer colour similar to the look of the Officers' Mess. The original idea was to match the fireplace; however, the existing oil-based paint makes it very difficult to do. A colour confirmation team will examine the paint and provide a final recommendation. (week of 13 Jul 2020)

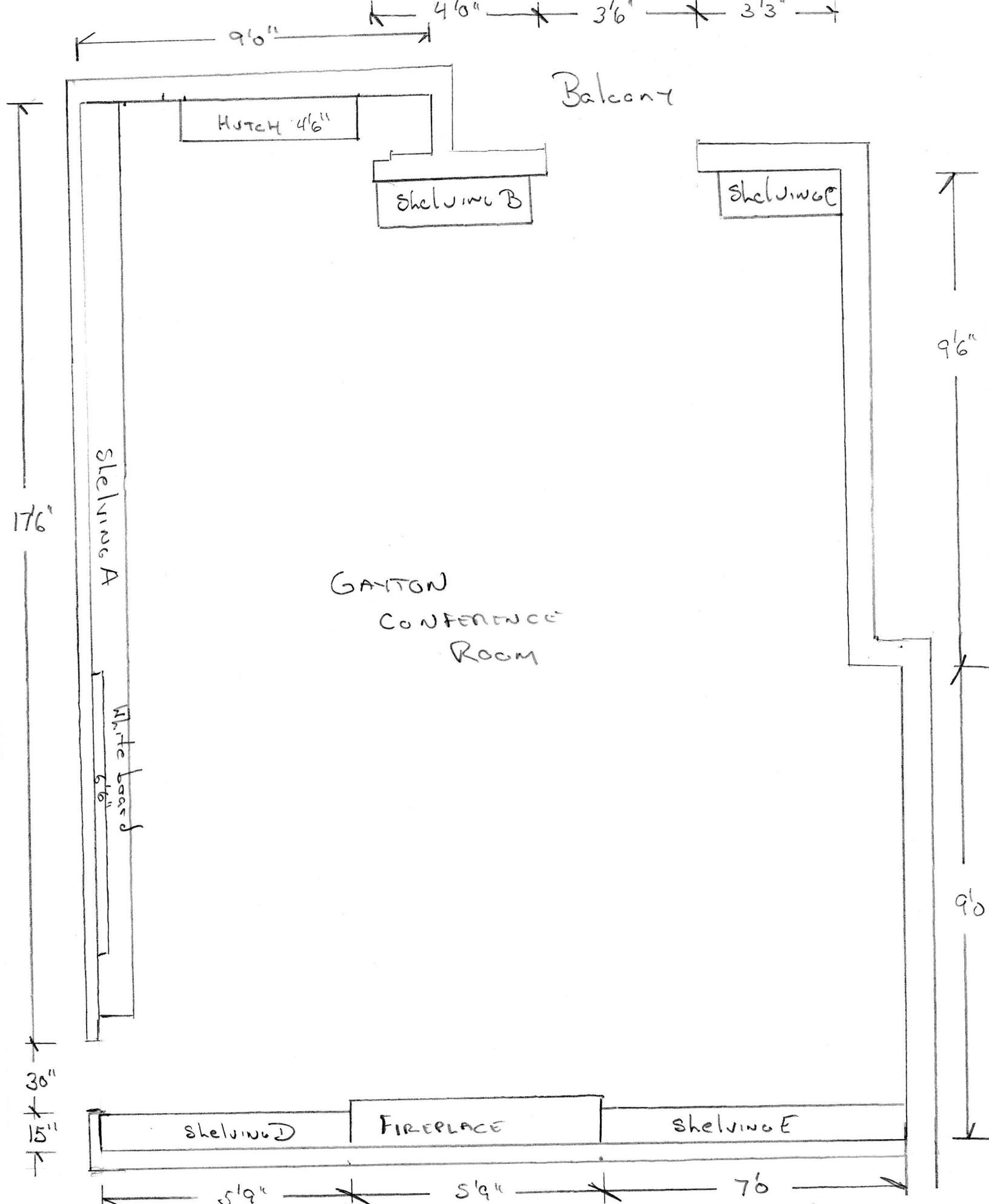
Step 2 – A team of not more than 6 volunteers (social distancing) will move all the furniture to the centre of the room and wash the walls with TSP. (week of 20 Jul 2020)

Step 3 – The team will prepare and paint the walls. (week of 27 Jul 2020)

Step 4 – The shelves will be transported to the Armoury and installed. (week of 3 Aug 2020)

Step 5 – Books placed on shelves and furniture re-arranged) (week of 10 Aug 2020)





Balcony

Hutch 4'6"

Shelving B

Shelving C

GANTON
CONFERENCE
ROOM

Shelving A

Whiteboard
6'6"

Shelving D

FIREPLACE

Shelving E

5'9"

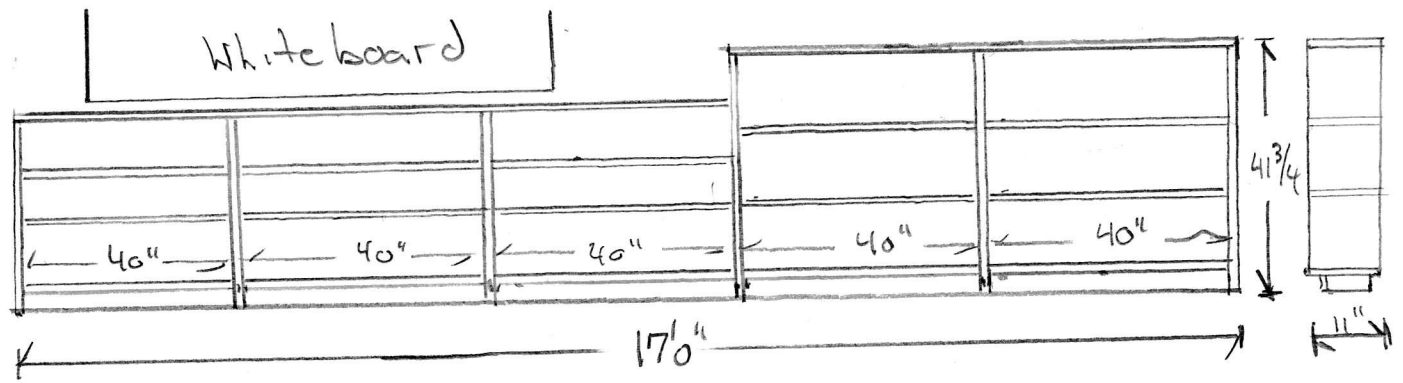
5'9"

7'6"

Measurements to be confirmed

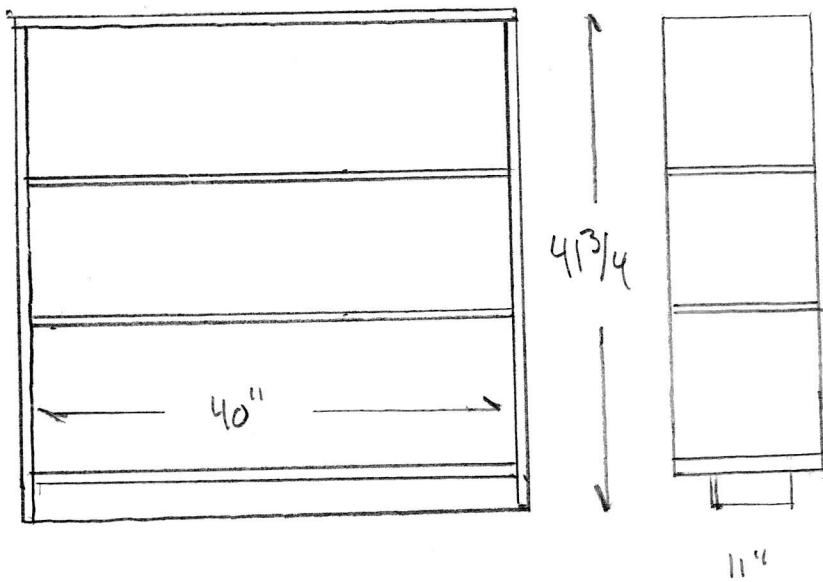
Shelving A - 11" Deep x 170" Long x 41 3/4" High

(3/8" - 1")



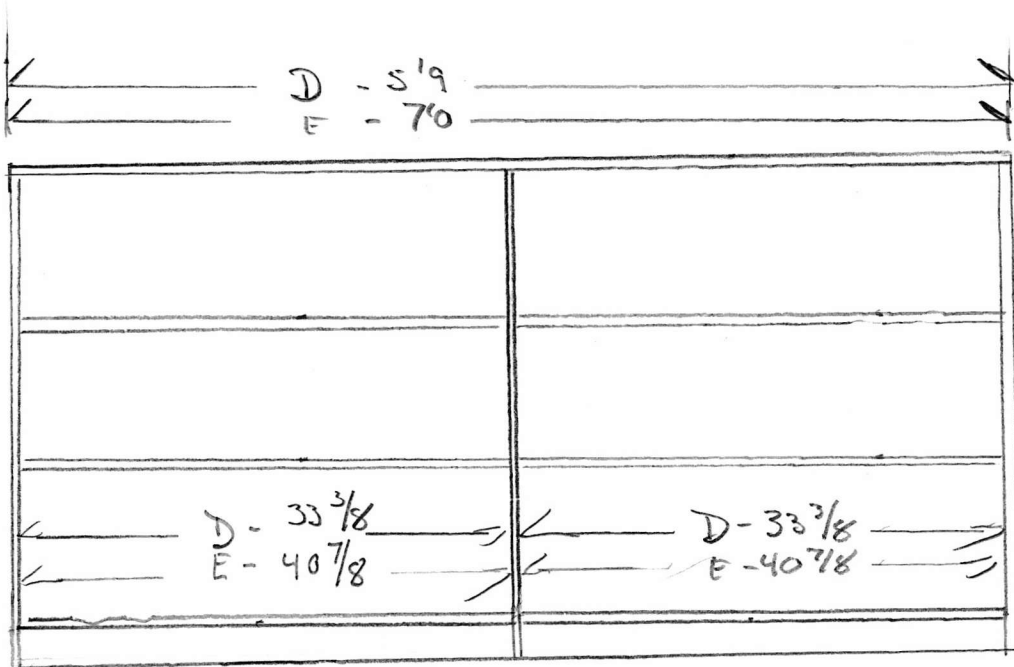
Shelving B+C - 11" Deep x 41 1/2" Long x 41 3/4" High

(3/4" - 1 1/2")



Shelving D - 11" Deep x 5'9" Long x 41 3/4" High
Shelving E - 11" Deep x 7'0" Long x 41 3/4" High

(3/4" - 1'0")



41 3/4"